

1 2 3 4 5 6 7 8

A

B

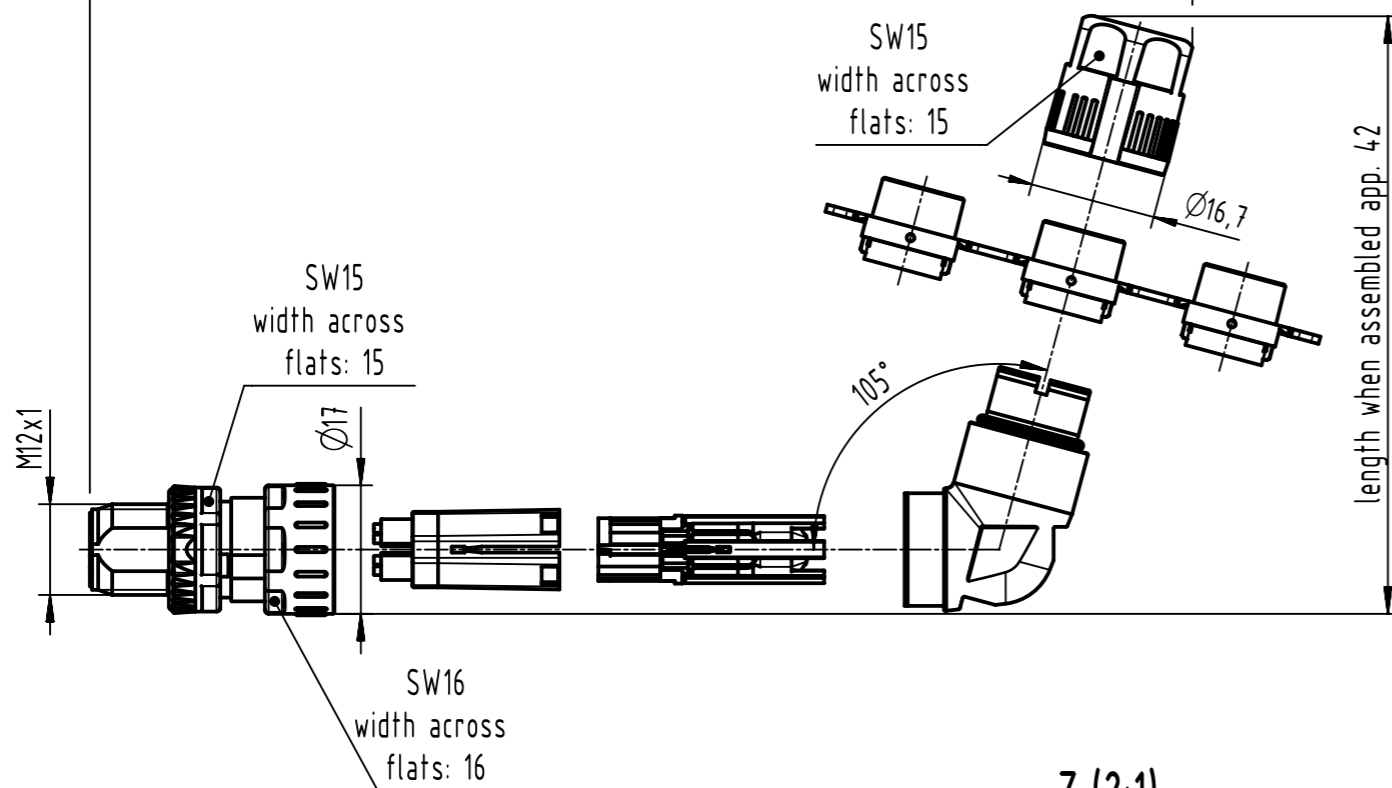
C

D

E

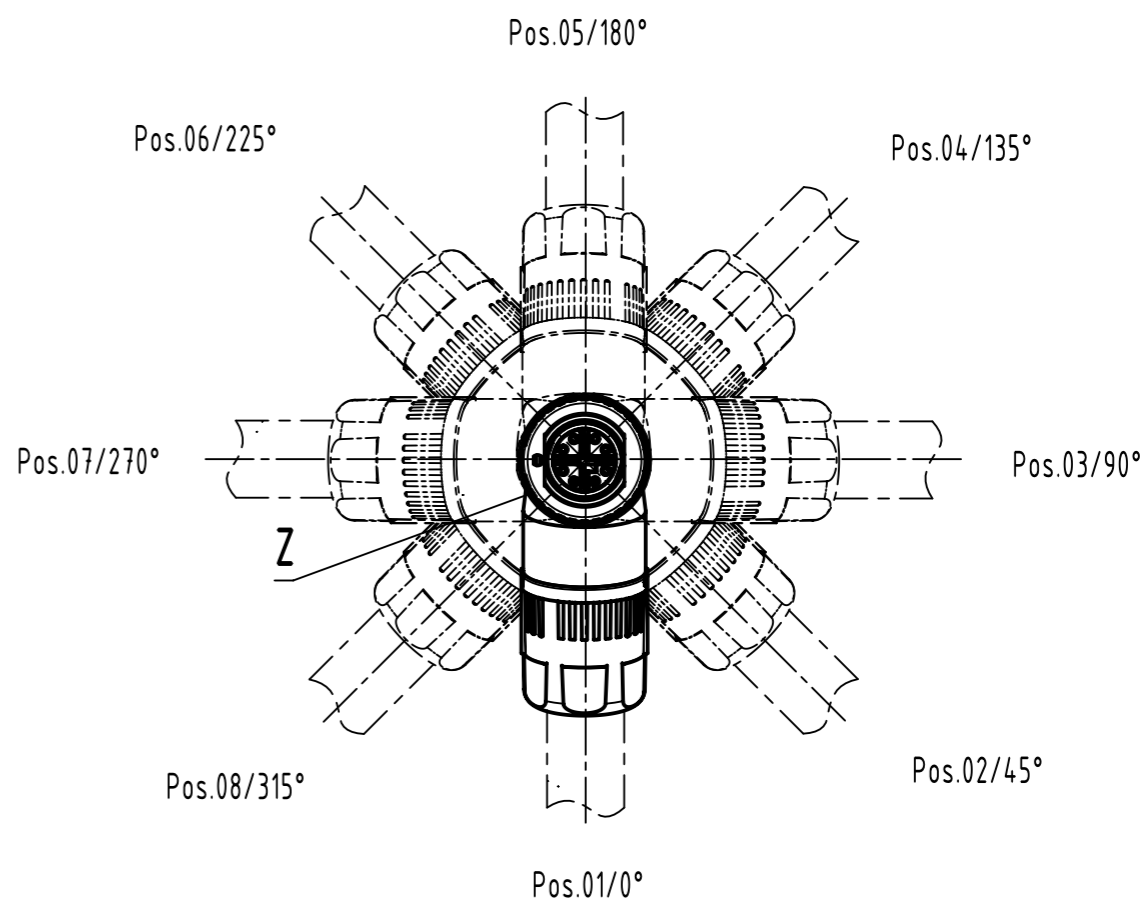
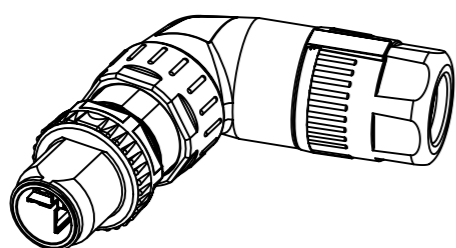
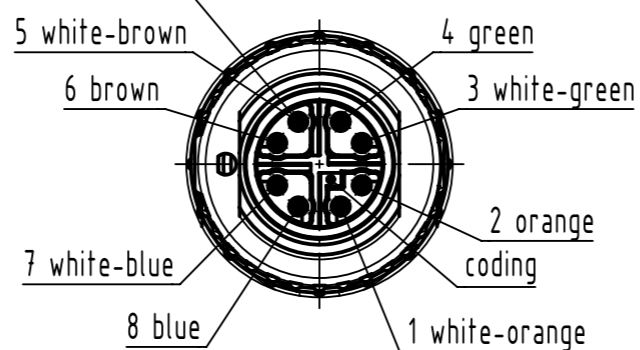
F

length when assembled app. 55



Z (2:1)

contact face acc. to IEC 61076-2-109



order contacts separately

cable Ø	wire gauge	contact part-no.
5,7-8,8mm	AWG 26-23	21 01 100 9019
	AWG 28-24	21 01 100 9014

	All rights reserved Department EL PD	All Dimensions in mm Original Size DIN A3	Scale 1:1	Free size tol.	Ref.
		Created by 406403	Inspected by FARCASIU	Standardisation ROEBEN	Date 2022-11-16
HARTING D-32339 Espelkamp		Title M12-SD-CC-CRIMP-8P-XCOD-M-ANG-SHLD			Doc-Key / ECM-Nr. 100584878/UGD/002/J 50000227840
		Type TB	Number 21038813805		Rev. J Page 1/1

1 2 3 4 5 6 7 8

A

B

C

D

E

F